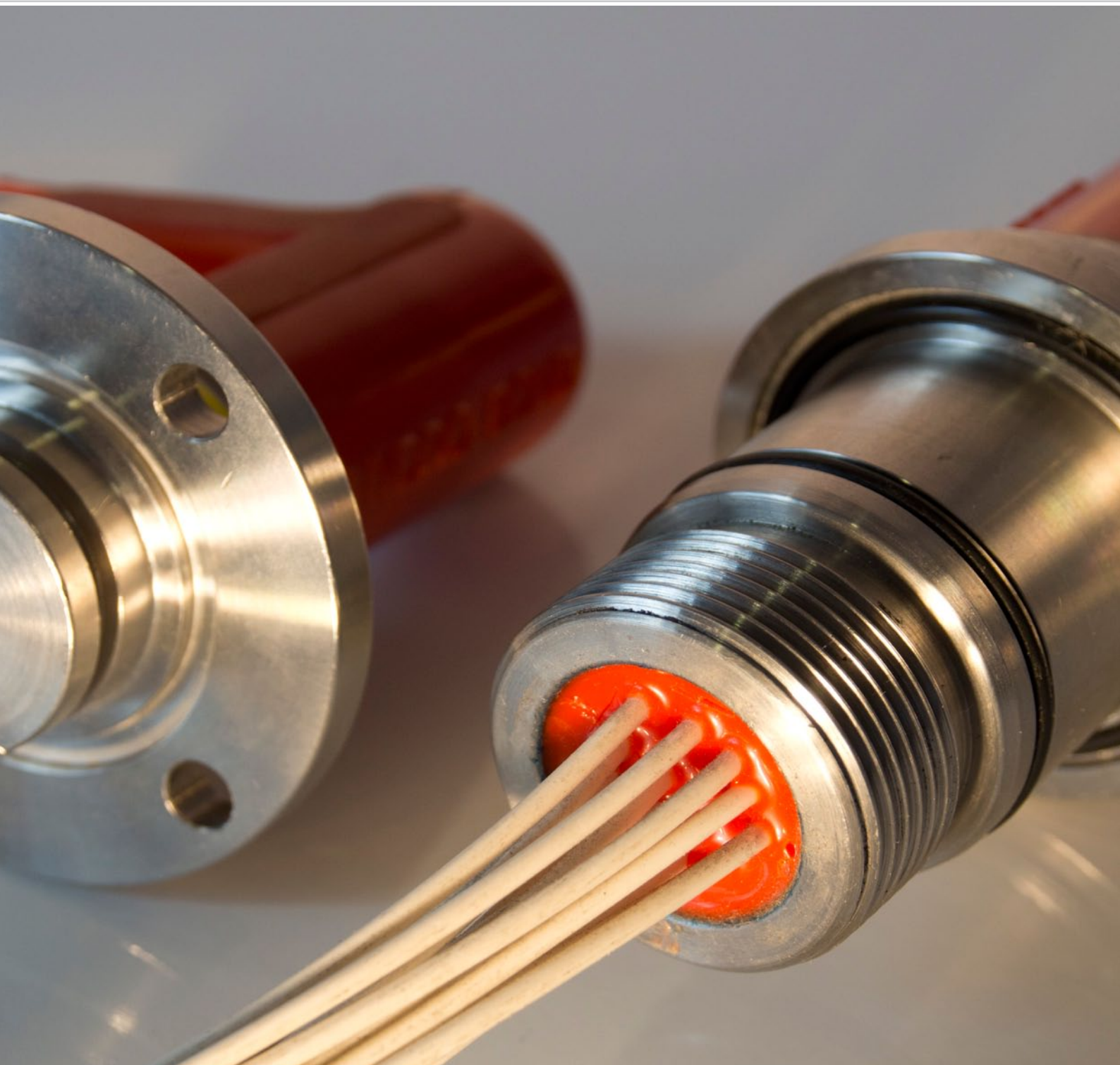


Hydro Bond Engineering Ltd

Fibre Optic Connectors and Penetrators: Surface Mateable Optical & Hybrid Optical / Electrical Connectors



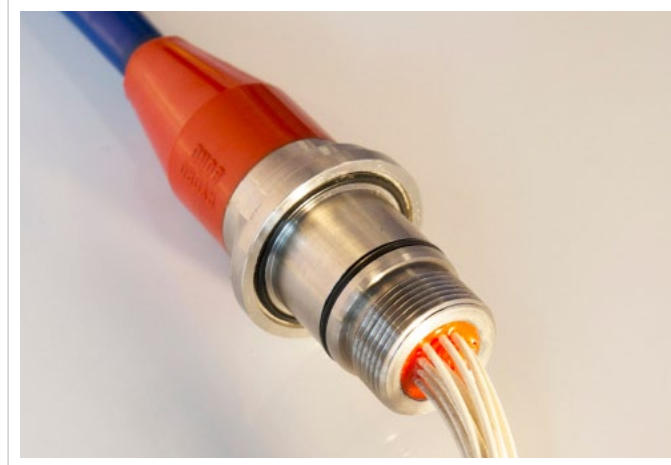
Fibre Optical Connectors and Penetrators

HDM (Hydrobond Deck Mate) Surface Mateable all Optical Connectors & Hybrid Optical / Electrical Connectors

Hydro Bond Engineering Ltd offer Fibre Optical Connectors and Penetrators from its extensive, high integrity range of connectors and penetrators.

Our in house engineered and developed optical technology is at the forefront of harsh environment requirements. Our products have been extensively tested both internally and externally and are field proven on major local, national and international projects.

Our optical Engineers and Technicians are fully trained and certified on our equipment by City & Guilds (optical fibre installation and testing singlemode fibre course).



HDM: (Connector)

Features

- Optical and Electrical / Optical Hybrid connectors are designed and manufactured using our acclaimed HDM connector range
- Multimode 62.5/125 and 50/125 versions for use at 850 nm to 1300 nm available with typically ≤ 0.5 dB insertion loss per mated optical path
- Singlemode 8/125 versions for use at 1310 nm to 1550 nm are available with typically ≤ 0.5 dB insertion loss per mated optical path and ≤ -30 dB return loss. Use at wavelengths between 1285 nm and 1565 nm can also be accommodated on request
- Singlemode connectors are compatible with standard single mode fibre, Fatigue resistant fibre and non zero dispersion shifted fibre
- Bulkhead and other fibre optical tails used are tested to ITU-T and IEC-793-1 and our single mode optical tails are manufactured as per G.652
- Panel mount and bulkhead mount connectors come with 1 metre optical tails terminated with ST connectors as standard and FC/PC and FC/APC on request.
- Connectors are available in 5 different shell sizes with standard and reverse gender options available as standard
- Optical and electrical path combinations are available from 1 to 38 paths
- Termination options are standard optical, optical electrical, strain terminated to Kevlar or wire armour, oil filled and field installable
- All connectors use our in-house purpose designed self aligning optical ferrule and coupling technology



HDM: (Connector)

Fibre Optic Connectors and Penetrators

HDM (Hydrobond Deck Mate) Surface Mateable all Optical Connectors & Hybrid Optical / Electrical Connectors

Benefits

- High Integrity field proven design
- Connectors and penetrator samples have been shock tested for military and high vibration applications
- Full pressure blocked penetrator design assures leak tight system
- Non expanded beam inserts ensure optimum system design with low losses allows you to use your optical budget to the maximum
- Wide range of insert options allows for ease of system design
- Wide variety of metal component materials allows for non-magnetic and corrosion resistant designs
- Ease of connection



HDM: (Connector)



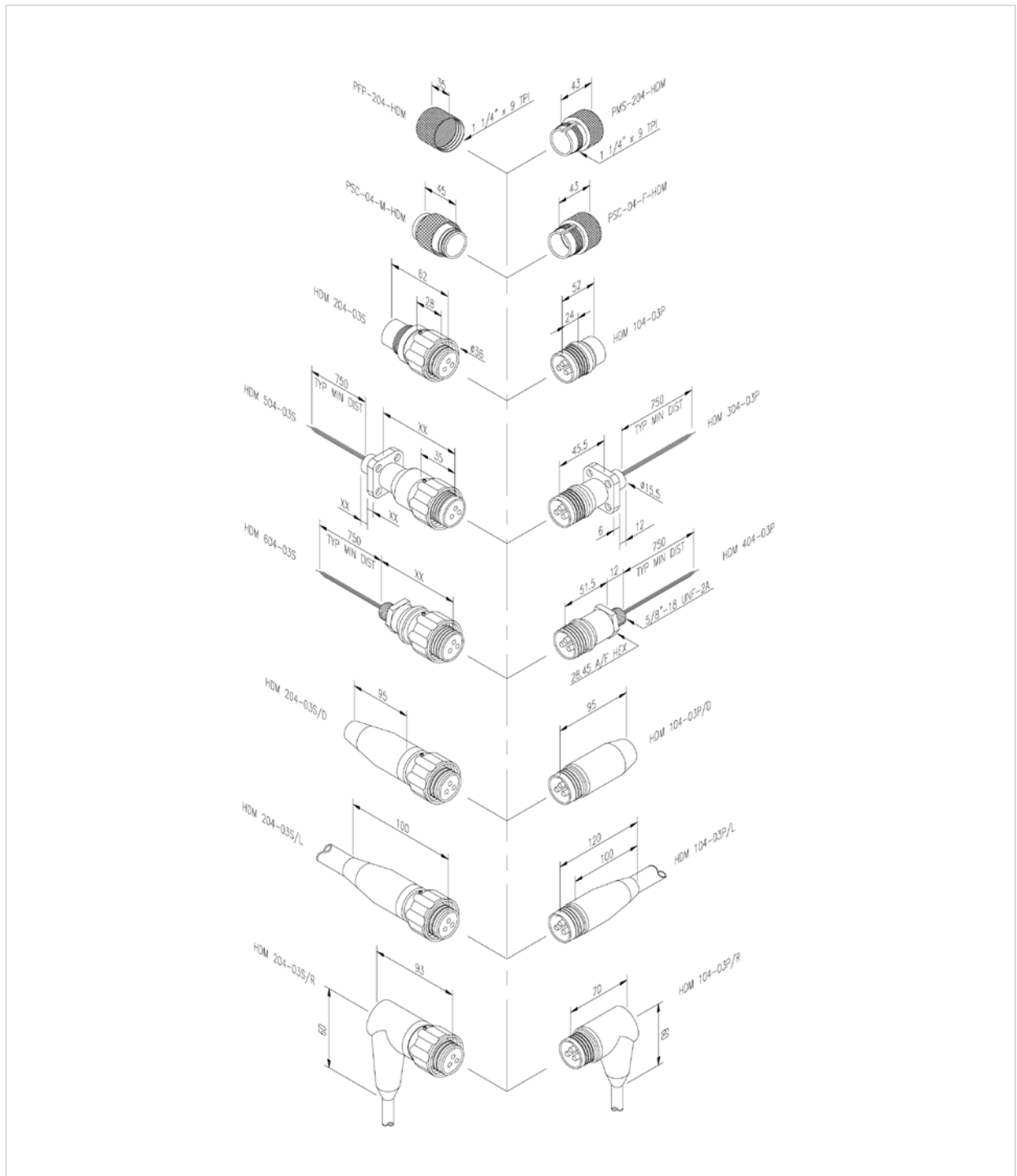
HDM: (Connector)

Specifications

The following pages feature (Fibre Optic Connectors and Penetrators) Optical, Electrical and Optical Hybrid Connectors and Penetrators that have been designed, manufactured and field tested. The following charts feature the socket / pin (face view) configurations, together with electrical, environmental and standard material specifications.

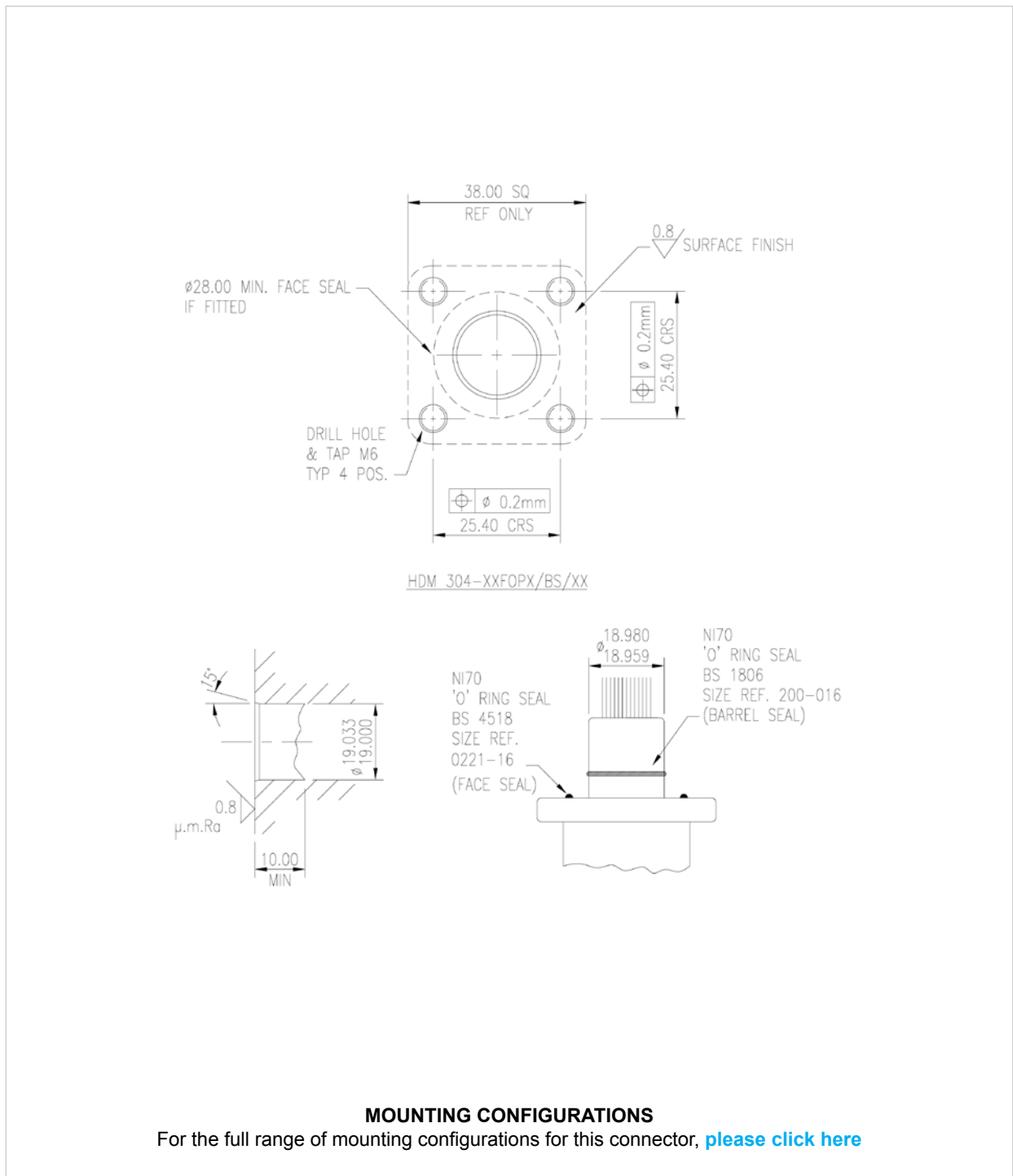
Fibre Optic Connectors and Penetrators

Surface Mateable all Optical & Hybrid Optical / Electrical Connectors HDM (Hydrobond Deck Mate): **Shell Size 4 / Connector Details**



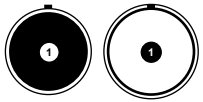
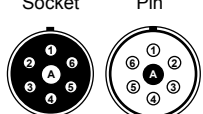
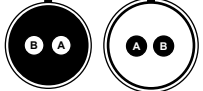
Fibre Optic Connectors and Penetrators

Surface Mateable all Optical & Hybrid Optical / Electrical Connectors HDM (Hydrobond Deck Mate): **Shell Size 4 / Mounting Details**



Fibre Optic Connectors and Penetrators

HDM (Hydrobond Deck Mate) Surface Mateable all Optical Connectors & Hybrid Optical / Electrical Connectors: **Specifications**

Electrical and Environmental	Standard Material Specification	Face Views
Optical paths: 1x Fibre Optic (Multi/Single Mode) Typical Insertion Loss: ≤ 0.5 dB Typical (SM) Back Reflection: < -30 dB return loss Pin Current Rating: N/A Pin Voltage Rating: N/A Contact to Contact IR: N/A Contact to Body IR: N/A Mated Depth Rating: 3,450 MSW Temperature Rating: -20° C to $+60^{\circ}$ C Conductor Tail Size: N/A Solder Bucket Size: N/A	Body: 316 Stainless Steel Fix Ring: Aluminium Silicon Bronze Back Shell: N/A Optical Ferrule: Ceramic Optical Alignment Sleeve: Ceramic Contact Pins: N/A Contact Sockets: N/A Insert Material: Peek Conductor Tails: N/A Optical Tails: Simplex ruggedised x 1.0m Terminated: ST Connectors O – Rings: NI70	Socket Pin  Ref: HDM 04-01FOP-0P
Optical paths: 1x Fibre Optic (Multi/Single Mode) Typical Insertion Loss: ≤ 0.5 dB Typical (SM) Back Reflection: < -30 dB return loss Pin Current Rating: 7 Amps Pin Voltage Rating: 1,000 V rms Contact to Contact IR: $> 1,000$ MOhms @ 1,000 V dc Contact to Body IR: $> 1,000$ MOhms @ 1,000 V dc Mated Depth Rating: 3,450 MSW Temperature Rating: -20° C to $+60^{\circ}$ C Conductor Tail Size: 18 AWG Solder Bucket Size: 1.2 mm dia	Body: 316 Stainless Steel Fix Ring: Aluminium Silicon Bronze Back Shell: N/A Optical Ferrule: Ceramic Optical Alignment Sleeve: Ceramic Contact Pins: CZ121/Au Contact Sockets: CZ121/Au Insert Material: Peek Conductor Tails: Spec 44 x 1.0m Optical Tails: Simplex ruggedised x 1.0m Terminated: ST Connectors O – Rings: NI70	Socket Pin  Ref: HDM 04-01FOP-06P
Optical paths: 2x Fibre Optic (Multi/Single Mode) Typical Insertion Loss: ≤ 0.5 dB Typical (SM) Back Reflection: < -30 dB return loss Pin Current Rating: N/A Pin Voltage Rating: N/A Contact to Contact IR: N/A Contact to Body IR: N/A Mated Depth Rating: 3,450 MSW Temperature Rating: -20° C to $+60^{\circ}$ C Conductor Tail Size: N/A Solder Bucket Size: N/A	Body: 316 Stainless Steel Fix Ring: Aluminium Silicon Bronze Back Shell: N/A Optical Ferrule: Ceramic Optical Alignment Sleeve: Ceramic Contact Pins: N/A Contact Sockets: N/A Insert Material: Peek Conductor Tails: N/A Optical Tails: Simplex ruggedised x 1.0m Terminated: ST Connectors O – Rings: NI70	Socket Pin  Ref: HDM 04-01FOP-0P

Custom Product Design

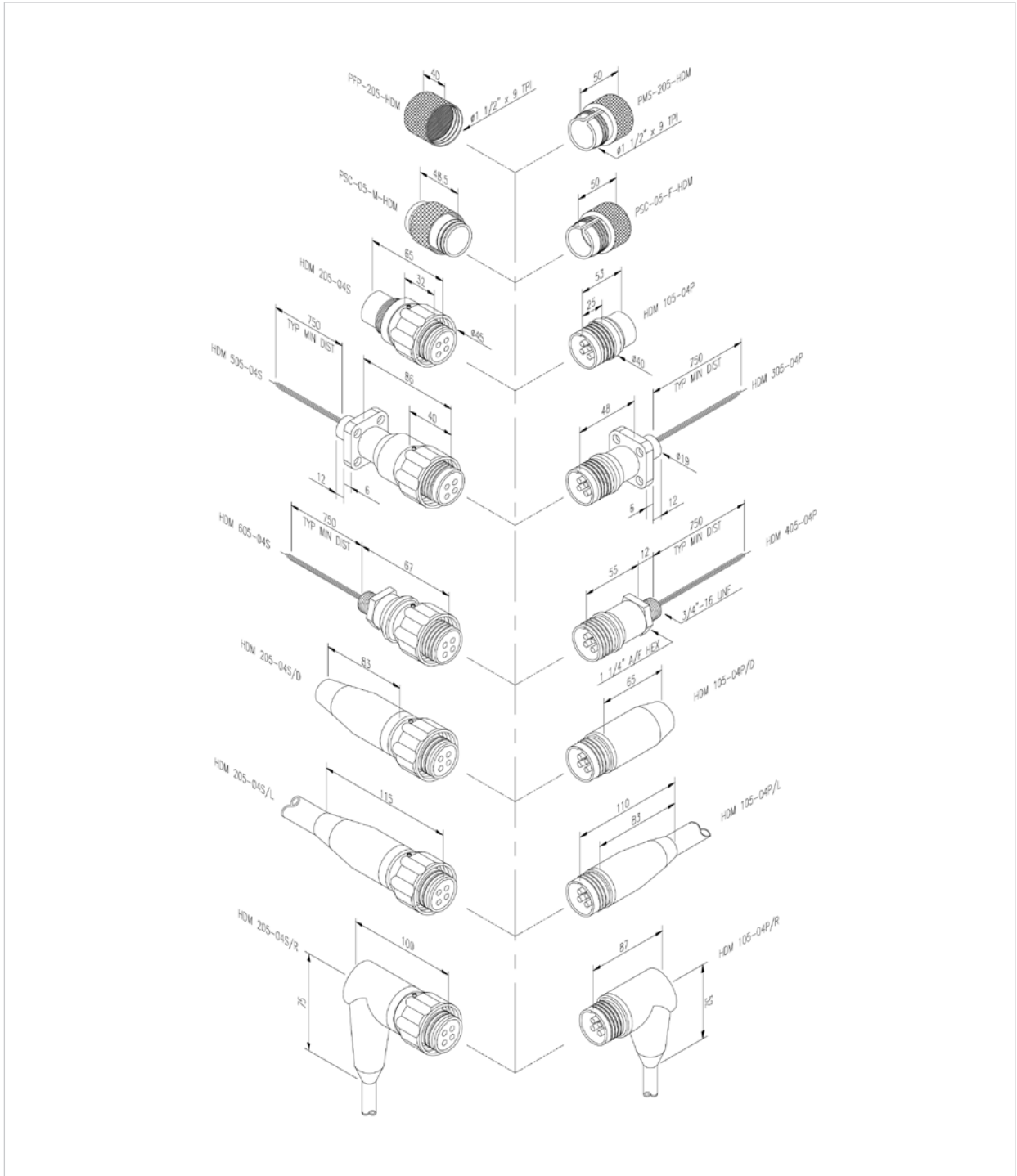
Not found what you are looking for ?

Our in house engineers design, develop, manufacture and test new products to customer specifications.



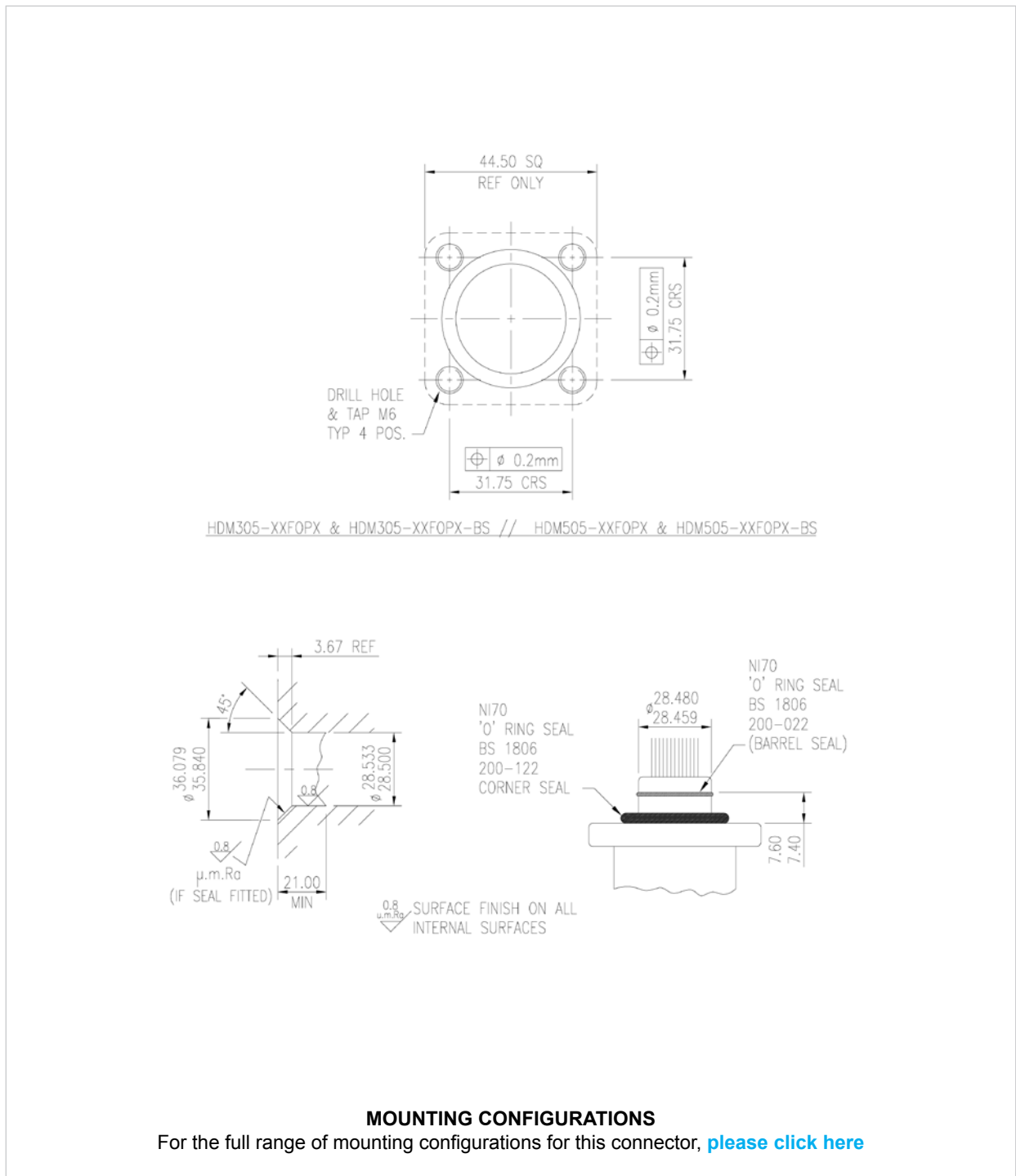
Fibre Optic Connectors and Penetrators

Surface Mateable all Optical & Hybrid Optical / Electrical Connectors HDM (Hydrobond Deck Mate): **Shell Size 5 / Connector Details**



Fibre Optic Connectors and Penetrators

Surface Mateable all Optical & Hybrid Optical / Electrical Connectors HDM (Hydrobond Deck Mate): **Shell Size 5 / Mounting Details**



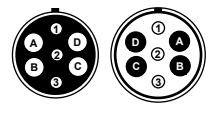
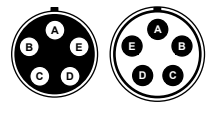
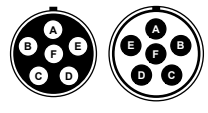
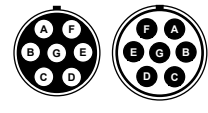
Fibre Optic Connectors and Penetrators

HDM (Hydrobond Deck Mate) Surface Mateable all Optical Connectors & Hybrid Optical / Electrical Connectors: Specifications

Electrical and Environmental	Standard Material Specification	Face Views
<p>Optical paths: 1xFibre Optic (Multi/Single Mode) Typical Insertion Loss: ≤ 0.5 dB Typical (SM) Back Reflection: < -30 dB return loss Pin Current Rating: 20 Amps Pin Voltage Rating: 1,000 V rms Contact to Contact IR: $> 1,000$ MOhms @ 1,000 V dc Contact to Body IR: $> 1,000$ MOhms @ 1,000 V dc Mated Depth Rating: 3,450 MSW Temperature Rating: -20° C to $+60^{\circ}$ C Conductor Tail Size: 12 AWG Solder Bucket Size: 2.5 mm dia</p>	<p>Body: 316 Stainless Steel Fix Ring: Aluminium Silicon Bronze Back Shell: N/A Optical Ferrule: Ceramic Optical Alignment Sleeve: Ceramic Contact Pins: CZ121/Au Contact Sockets: CZ121/Au Insert Material: Peek Conductor Tails: Spec 44 x 1.0m Optical Tails: Simplex ruggardised x 1.0m Terminated: ST Connectors NI70 O – Rings:</p>	<p>Socket Pin</p> <p>Ref: HDM 05-01FOP-02P</p>
<p>Optical paths: 2xFibre Optic (Multi/Single Mode) Typical Insertion Loss: ≤ 0.5 dB Typical (SM) Back Reflection: < -30 dB return loss Pin Current Rating: 20 Amps Pin Voltage Rating: 1,000 V rms Contact to Contact IR: $> 1,000$ MOhms @ 1,000 V dc Contact to Body IR: $> 1,000$ MOhms @ 1,000 V dc Mated Depth Rating: 3,450 MSW Temperature Rating: -20° C to $+60^{\circ}$ C Conductor Tail Size: 12 AWG Solder Bucket Size: 2.5 mm dia</p>	<p>Body: 316 Stainless Steel Fix Ring: Aluminium Silicon Bronze Back Shell: N/A Optical Ferrule: Ceramic Optical Alignment Sleeve: Ceramic Contact Pins: CZ121/Au Contact Sockets: CZ121/Au Insert Material: Peek Conductor Tails: Spec 44 x 1.0m Optical Tails: Simplex ruggardised x 1.0m Terminated: ST Connectors NI70 O – Rings:</p>	<p>Socket Pin</p> <p>Ref: HDM 05-02FOP-02P</p>
<p>Optical paths: 2xFibre Optic (Multi/Single Mode) Typical Insertion Loss: ≤ 0.5 dB Typical (SM) Back Reflection: < -30 dB return loss Pin Current Rating: 20 Amps Pin Voltage Rating: 1,000 V rms Contact to Contact IR: $> 1,000$ MOhms @ 1,000 V dc Contact to Body IR: $> 1,000$ MOhms @ 1,000 V dc Mated Depth Rating: 3,450 MSW Temperature Rating: -20° C to $+60^{\circ}$ C Conductor Tail Size: 12 AWG Solder Bucket Size: 2.5 mm dia</p>	<p>Body: 316 Stainless Steel Fix Ring: Aluminium Silicon Bronze Back Shell: N/A Optical Ferrule: Ceramic Optical Alignment Sleeve: Ceramic Contact Pins: CZ121/Au Contact Sockets: CZ121/Au Insert Material: Peek Conductor Tails: Spec 44 x 1.0m Optical Tails: Simplex ruggardised x 1.0m Terminated: ST Connectors NI70 O – Rings:</p>	<p>Socket Pin</p> <p>Ref: HDM 05-02FOP-03P</p>
<p>Optical paths: 3xFibre Optic (Multi/Single Mode) Typical Insertion Loss: ≤ 0.5 dB Typical (SM) Back Reflection: < -30 dB return loss Pin Current Rating: 20 Amps Pin Voltage Rating: 1,000 V rms Contact to Contact IR: $> 1,000$ MOhms @ 1,000 V dc Contact to Body IR: $> 1,000$ MOhms @ 1,000 V dc Mated Depth Rating: 3,450 MSW Temperature Rating: -20° C to $+60^{\circ}$ C Conductor Tail Size: 12 AWG Solder Bucket Size: 2.5 mm dia</p>	<p>Body: 316 Stainless Steel Fix Ring: Aluminium Silicon Bronze Back Shell: N/A Optical Ferrule: Ceramic Optical Alignment Sleeve: Ceramic Contact Pins: CZ121/Au Contact Sockets: CZ121/Au Insert Material: Peek Conductor Tails: Spec 44 x 1.0m Optical Tails: Simplex ruggardised x 1.0m Terminated: ST Connectors NI70 O – Rings:</p>	<p>Socket Pin</p> <p>Ref: HDM 05-03FOP-02P</p>
<p>Optical paths: 2xFibre Optic (Multi/Single Mode) Typical Insertion Loss: ≤ 0.5 dB Typical (SM) Back Reflection: < -30 dB return loss Pin Current Rating: 20 Amps Pin Voltage Rating: 1,000 V rms Contact to Contact IR: $> 1,000$ MOhms @ 1,000 V dc Contact to Body IR: $> 1,000$ MOhms @ 1,000 V dc Mated Depth Rating: 3,450 MSW Temperature Rating: -20° C to $+60^{\circ}$ C Conductor Tail Size: 12 AWG Solder Bucket Size: 2.5 mm dia</p>	<p>Body: 316 Stainless Steel Fix Ring: Aluminium Silicon Bronze Back Shell: N/A Optical Ferrule: Ceramic Optical Alignment Sleeve: Ceramic Contact Pins: CZ121/Au Contact Sockets: CZ121/Au Insert Material: Peek Conductor Tails: Spec 44 x 1.0m Optical Tails: Simplex ruggardised x 1.0m Terminated: ST Connectors NI70 O – Rings:</p>	<p>Socket Pin</p> <p>Ref: HDM 05-03FOP-04P</p>
<p>Optical paths: 4xFibre Optic (Multi/Single Mode) Typical Insertion Loss: ≤ 0.5 dB Typical (SM) Back Reflection: < -30 dB return loss Pin Current Rating: 20 Amps Pin Voltage Rating: 1,000 V rms Contact to Contact IR: $> 1,000$ MOhms @ 1,000 V dc Contact to Body IR: $> 1,000$ MOhms @ 1,000 V dc Mated Depth Rating: 3,450 MSW Temperature Rating: -20° C to $+60^{\circ}$ C Conductor Tail Size: 12 AWG Solder Bucket Size: 2.5 mm dia</p>	<p>Body: 316 Stainless Steel Fix Ring: Aluminium Silicon Bronze Back Shell: N/A Optical Ferrule: Ceramic Optical Alignment Sleeve: Ceramic Contact Pins: CZ121/Au Contact Sockets: CZ121/Au Insert Material: Peek Conductor Tails: Spec 44 x 1.0m Optical Tails: Simplex ruggardised x 1.0m Terminated: ST Connectors NI70 O – Rings:</p>	<p>Socket Pin</p> <p>Ref: HDM 05-04FOP-02P</p>

Fibre Optic Connectors and Penetrators

HDM (Hydrobond Deck Mate) Surface Mateable all Optical Connectors & Hybrid Optical / Electrical Connectors: **Specifications**

Electrical and Environmental	Standard Material Specification	Face Views
Optical paths: 4xFibre Optic (Multi/Single Mode) Typical Insertion Loss: ≤ 0.5 dB Typical (SM) Back Reflection: < -30 dB return loss Pin Current Rating: 20 Amps Pin Voltage Rating: 1,000 V rms Contact to Contact IR: $>1,000$ MOhms @ 1,000 V dc Contact to Body IR: $>1,000$ MOhms @ 1,000 V dc Mated Depth Rating: 3,450 MSW Temperature Rating: -20° C to $+60^{\circ}$ C Conductor Tail Size: 12 AWG Solder Bucket Size: 2.5 mm dia	Body: 316 Stainless Steel Fix Ring: Aluminium Silicon Bronze Back Shell: N/A Optical Ferrule: Ceramic Optical Alignment Sleeve: Ceramic Contact Pins: CZ121/Au Contact Sockets: CZ121/Au Insert Material: Peek Conductor Tails: Spec 44 x 1.0m Optical Tails: Simplex ruggardised x 1.0m Terminated: ST Connectors NI70 O – Rings:	Socket Pin  Ref: HDM 05-04FOP-/03P
Optical paths: 5xFibre Optic (Multi/Single Mode) Typical Insertion Loss: ≤ 0.5 dB Typical (SM) Back Reflection: < -30 dB return loss Pin Current Rating: N/A Pin Voltage Rating: N/A Contact to Contact IR: N/A Contact to Body IR: N/A Mated Depth Rating: 3,450 MSW Temperature Rating: -20° C to $+60^{\circ}$ C Conductor Tail Size: N/A Solder Bucket Size: N/A	Body: 316 Stainless Steel Fix Ring: Aluminium Silicon Bronze Back Shell: N/A Optical Ferrule: Ceramic Optical Alignment Sleeve: Ceramic Contact Pins: N/A Contact Sockets: N/A Insert Material: Peek Conductor Tails: N/A Optical Tails: Simplex ruggardised x 1.0m Terminated: ST Connectors NI70 O – Rings:	Socket Pin  Ref: HDM 05-05FOP-/0P
Optical paths: 6xFibre Optic (Multi/Single Mode) Typical Insertion Loss: ≤ 0.5 dB Typical (SM) Back Reflection: < -30 dB return loss Pin Current Rating: N/A Pin Voltage Rating: N/A Contact to Contact IR: N/A Contact to Body IR: N/A Mated Depth Rating: 3,450 MSW Temperature Rating: -20° C to $+60^{\circ}$ C Conductor Tail Size: N/A Solder Bucket Size: N/A	Body: 316 Stainless Steel Fix Ring: Aluminium Silicon Bronze Back Shell: N/A Optical Ferrule: Ceramic Optical Alignment Sleeve: Ceramic Contact Pins: N/A Contact Sockets: N/A Insert Material: Peek Conductor Tails: N/A Optical Tails: Simplex ruggardised x 1.0m Terminated: ST Connectors NI70 O – Rings:	Socket Pin  Ref: HDM 05-06FOP-/0P
Optical paths: 7xFibre Optic (Multi/Single Mode) Typical Insertion Loss: ≤ 0.5 dB Typical (SM) Back Reflection: < -30 dB return loss Pin Current Rating: N/A Pin Voltage Rating: N/A Contact to Contact IR: N/A Contact to Body IR: N/A Mated Depth Rating: 3,450 MSW Temperature Rating: -20° C to $+60^{\circ}$ C Conductor Tail Size: N/A Solder Bucket Size: N/A	Body: 316 Stainless Steel Fix Ring: Aluminium Silicon Bronze Back Shell: N/A Optical Ferrule: Ceramic Optical Alignment Sleeve: Ceramic Contact Pins: N/A Contact Sockets: N/A Insert Material: Peek Conductor Tails: N/A Optical Tails: Simplex ruggardised x 1.0m Terminated: ST Connectors NI70 O – Rings:	Socket Pin  Ref: HDM 05-07FOP-/0P

Custom Product Design

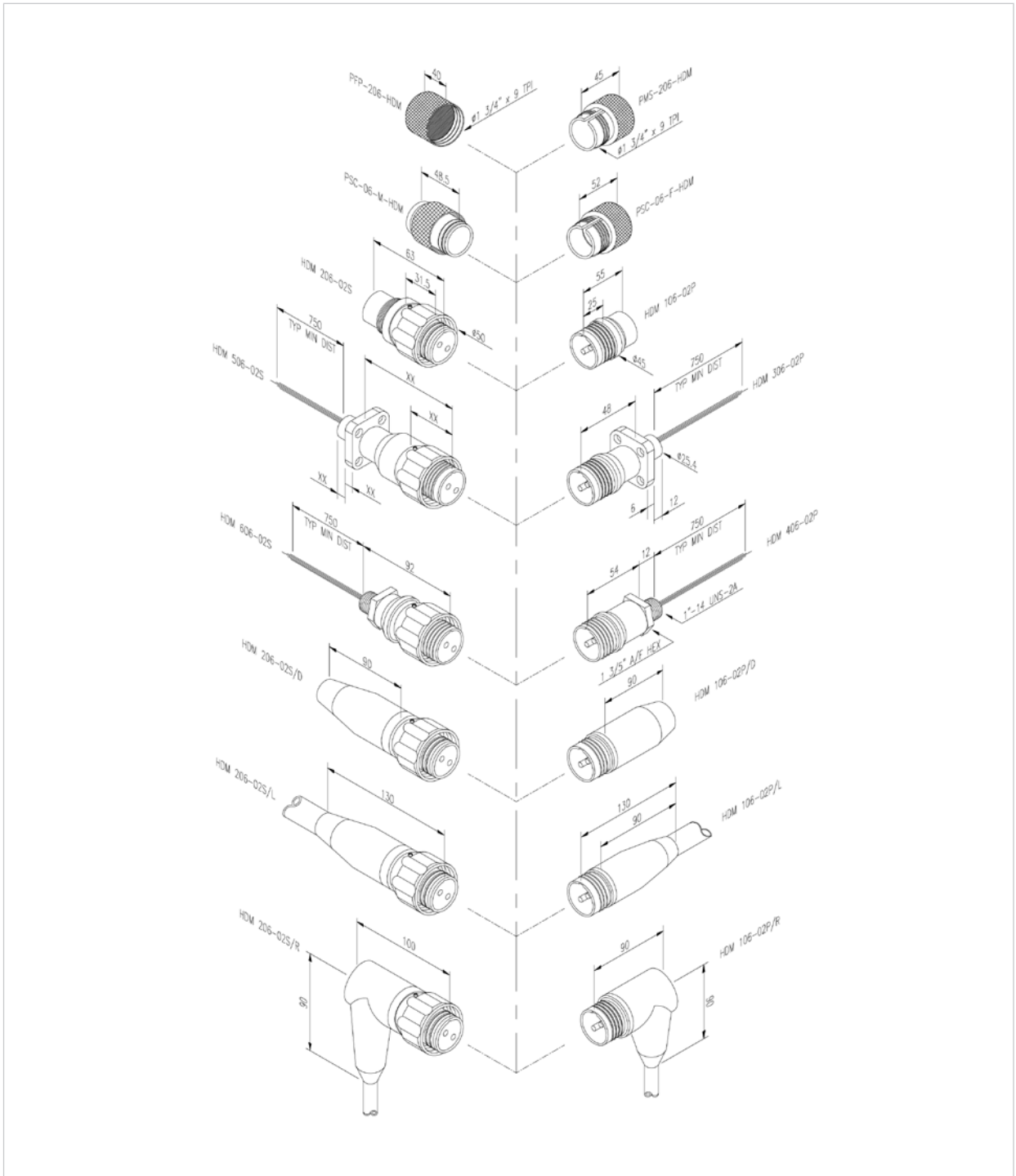
Not found what you are looking for ?

Our in house engineers design, develop, manufacture and test new products to customer specifications.



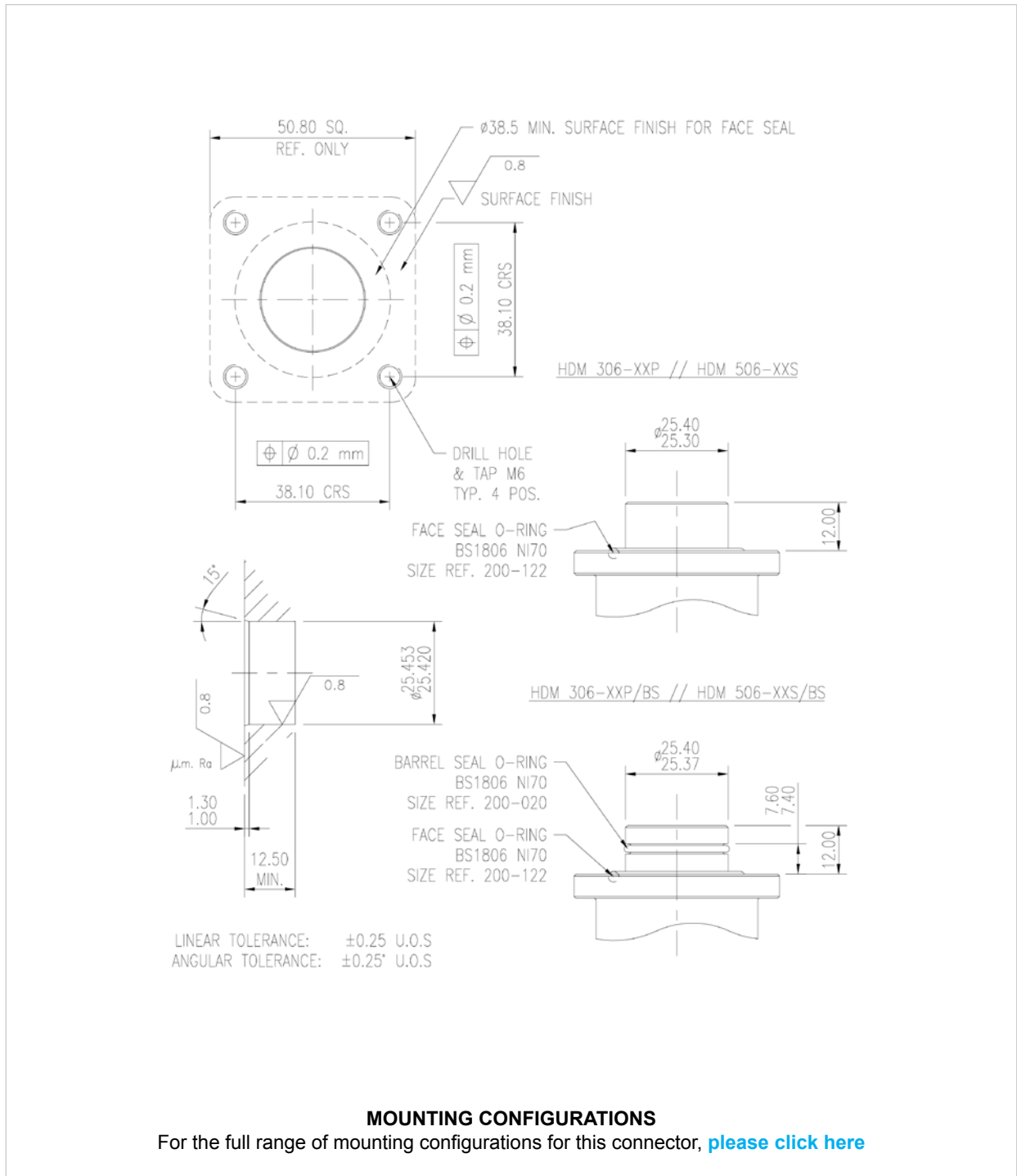
Fibre Optic Connectors and Penetrators

Surface Mateable all Optical & Hybrid Optical / Electrical Connectors HDM (Hydrobond Deck Mate): **Shell Size 6 / Connector Details**



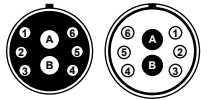
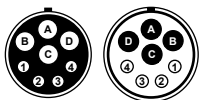
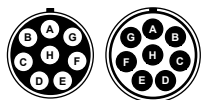
Fibre Optic Connectors and Penetrators

Surface Mateable all Optical & Hybrid Optical / Electrical Connectors HDM (Hydrobond Deck Mate): **Shell Size 6 / Mounting Details**



Fibre Optic Connectors and Penetrators

HDM (Hydrobond Deck Mate) Surface Mateable all Optical Connectors & Hybrid Optical / Electrical Connectors: **Specifications**

Electrical and Environmental	Standard Material Specification	Face Views
Optical paths: 2xFibre Optic (Multi/Single Mode) Typical Insertion Loss: ≤ 0.5 dB Typical (SM) Back Reflection: <-30 dB return loss Pin Current Rating: 20 Amps Pin Voltage Rating: 1,000 V rms Contact to Contact IR: >1,000 MOhms @ 1,000 V dc Contact to Body IR: >1,000 MOhms @ 1,000 V dc Mated Depth Rating: 3,450 MSW Temperature Rating: -20 ° C to +60 ° C Conductor Tail Size: 12 AWG Solder Bucket Size: 2.5 mm dia	Body: 316 Stainless Steel Fix Ring: Aluminium Silicon Bronze Back Shell: N/A Optical Ferrule: Ceramic Optical Alignment Sleeve: Ceramic Contact Pins: CZ121/Au Contact Sockets: CZ121/Au Insert Material: Peek Conductor Tails: Spec 44 x 1.0m Optical Tails: Simplex ruggardised x 1.0m Terminated: ST Connectors O – Rings: NI70	Socket Pin  Ref: HDM 06-02FOP-06P
Optical paths: 4xFibre Optic (Multi/Single Mode) Typical Insertion Loss: ≤ 0.5 dB Typical (SM) Back Reflection: <-30 dB return loss Pin Current Rating: 20 Amps Pin Voltage Rating: 1,000 V rms Contact to Contact IR: >1,000 MOhms @ 1,000 V dc Contact to Body IR: >1,000 MOhms @ 1,000 V dc Mated Depth Rating: 3,450 MSW Temperature Rating: -20 ° C to +60 ° C Conductor Tail Size: 12 AWG Solder Bucket Size: 2.5 mm dia	Body: 316 Stainless Steel Fix Ring: Aluminium Silicon Bronze Back Shell: N/A Optical Ferrule: Ceramic Optical Alignment Sleeve: Ceramic Contact Pins: CZ121/Au Contact Sockets: CZ121/Au Insert Material: Peek Conductor Tails: Spec 44 x 1.0m Optical Tails: Simplex ruggardised x 1.0m Terminated: ST Connectors O – Rings: NI70	Socket Pin  Ref: HDM 06-04FOP-04P
Optical paths: 8xFibre Optic (Multi/Single Mode) Typical Insertion Loss: ≤ 0.5 dB Typical (SM) Back Reflection: <-30 dB return loss Pin Current Rating: N/A Pin Voltage Rating: N/A Contact to Contact IR: N/A Contact to Body IR: N/A Mated Depth Rating: 3,450 MSW Temperature Rating: -20 ° C to +60 ° C Conductor Tail Size: N/A Solder Bucket Size: N/A	Body: 316 Stainless Steel Fix Ring: Aluminium Silicon Bronze Back Shell: N/A Optical Ferrule: Ceramic Optical Alignment Sleeve: Ceramic Contact Pins: N/A Contact Sockets: N/A Insert Material: Peek Conductor Tails: N/A Optical Tails: Simplex ruggardised x 1.0m Terminated: ST Connectors O – Rings: NI70	Socket Pin  Ref: HDM 06-08FOP-08P

Custom Product Design

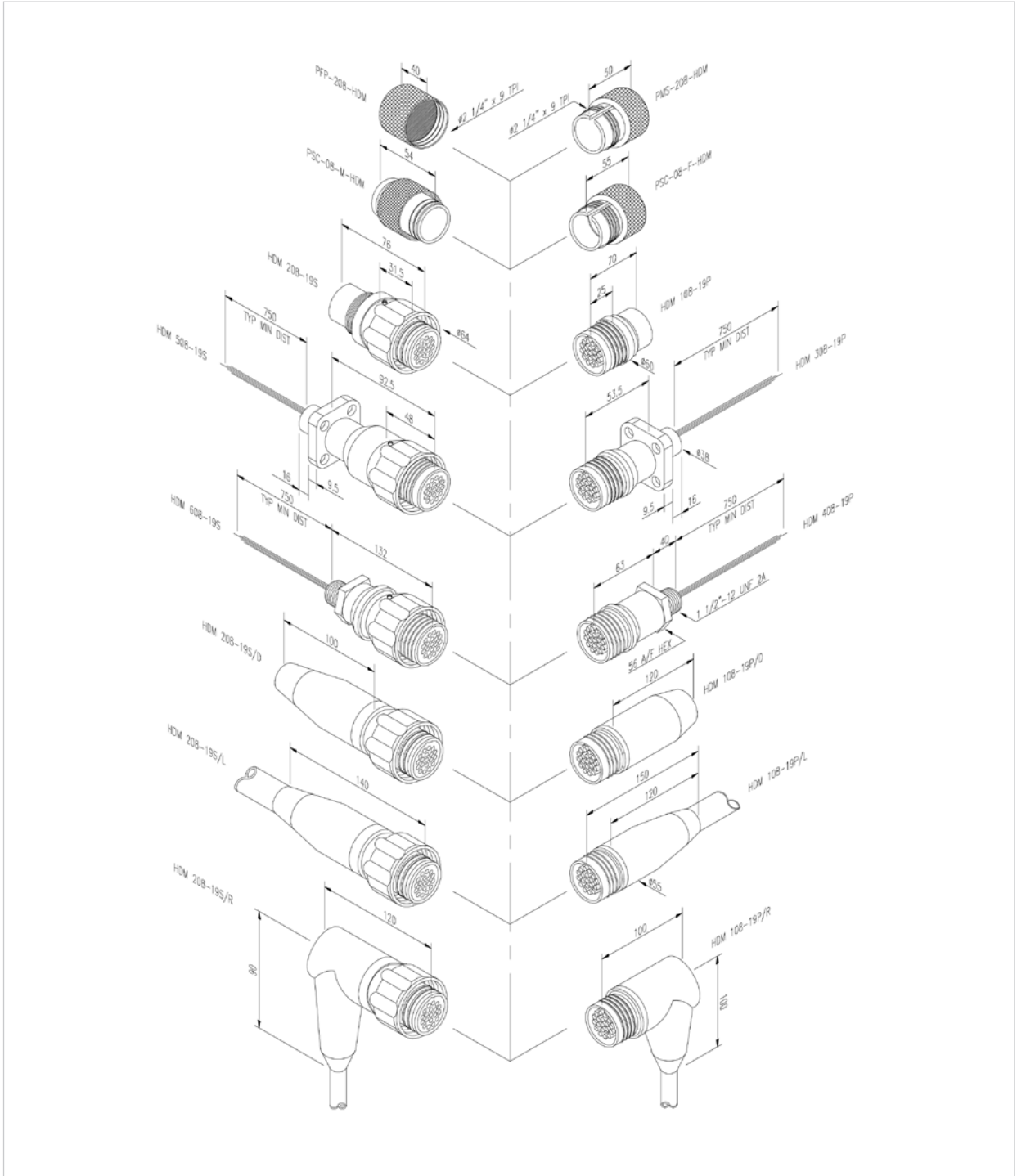
Not found what you are looking for ?

Our in house engineers design, develop, manufacture and test new products to customer specifications.



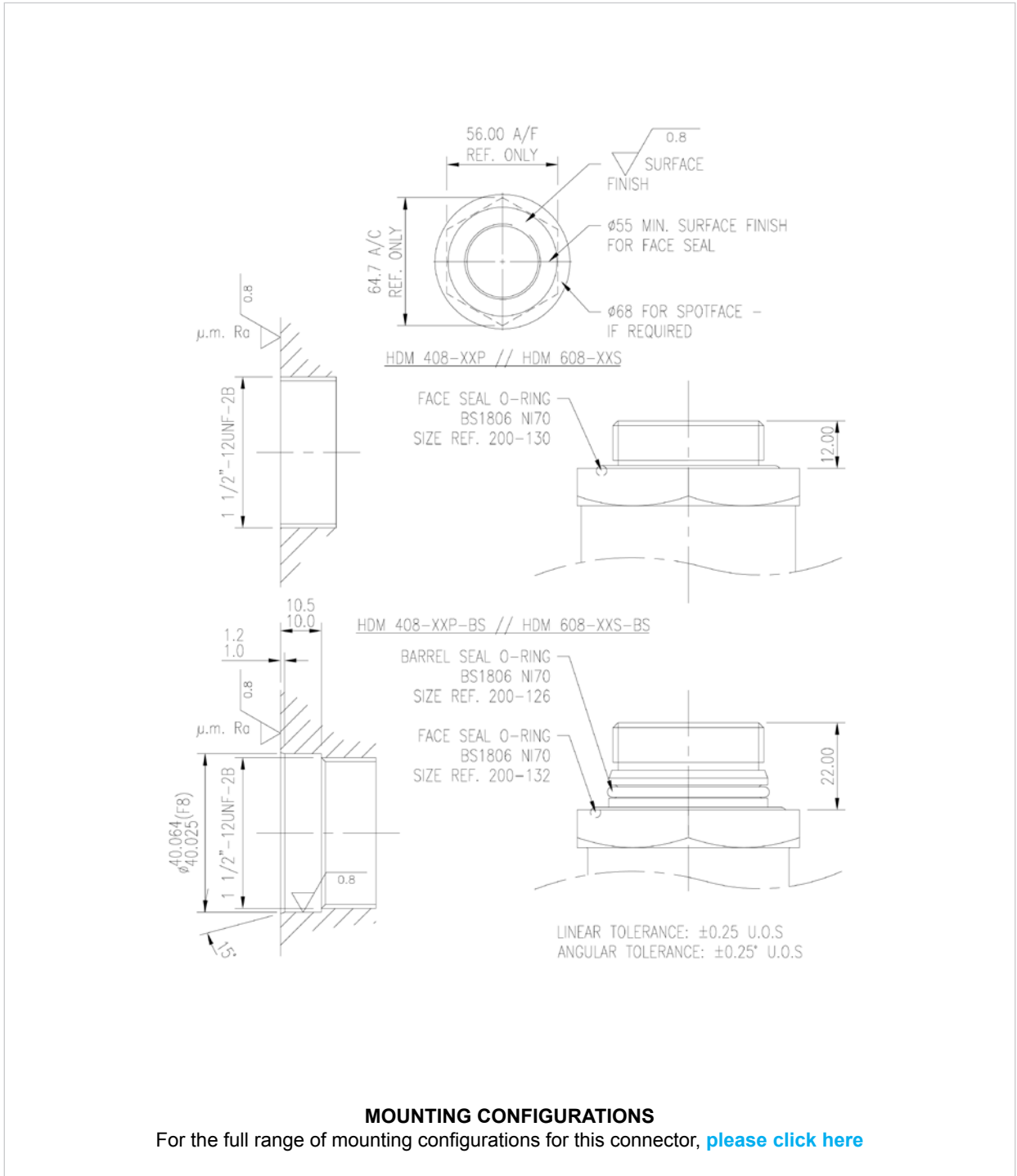
Fibre Optic Connectors and Penetrators

Surface Mateable all Optical & Hybrid Optical / Electrical Connectors HDM (Hydrobond Deck Mate): **Shell Size 8 / Connector Details**



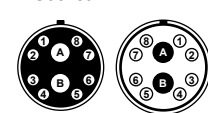
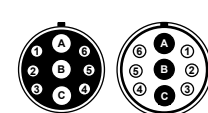
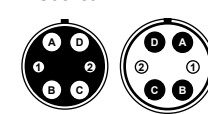
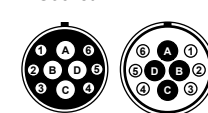
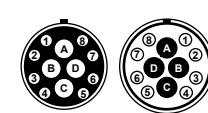
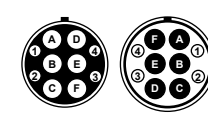
Fibre Optic Connectors and Penetrators

Surface Mateable all Optical & Hybrid Optical / Electrical Connectors HDM (Hydrobond Deck Mate): **Shell Size 8 / Mounting Details**



Fibre Optic Connectors and Penetrators

HDM (Hydrobond Deck Mate) Surface Mateable all Optical Connectors & Hybrid Optical / Electrical Connectors: Specifications

Electrical and Environmental	Standard Material Specification	Face Views
<p>Optical paths: 2xFibre Optic (Multi/Single Mode) Typical Insertion Loss: ≤ 0.5 dB Typical (SM) Back Reflection: <-30 dB return loss Pin Current Rating: 20 Amps Pin Voltage Rating: 1,000 V rms Contact to Contact IR: $>1,000$ MOhms @ 1,000 V dc Contact to Body IR: $>1,000$ MOhms @ 1,000 V dc Mated Depth Rating: 3,450 MSW Temperature Rating: -20° C to $+60^{\circ}$ C Conductor Tail Size: 12 AWG Solder Bucket Size: 2.5 mm dia</p>	<p>Body: 316 Stainless Steel Fix Ring: Aluminium Silicon Bronze Back Shell: N/A Optical Ferrule: Ceramic Optical Alignment Sleeve: Ceramic Contact Pins: CZ121/Au Contact Sockets: CZ121/Au Insert Material: Peek Conductor Tails: Spec 44 x 1.0m Optical Tails: Simplex ruggardised x 1.0m Terminated: ST Connectors N170 O – Rings:</p>	<p>Socket Pin</p>  <p>Ref: HDM 08-02FOP-08P</p>
<p>Optical paths: 3xFibre Optic (Multi/Single Mode) Typical Insertion Loss: ≤ 0.5 dB Typical (SM) Back Reflection: <-30 dB return loss Pin Current Rating: 20 Amps Pin Voltage Rating: 1,000 V rms Contact to Contact IR: $>1,000$ MOhms @ 1,000 V dc Contact to Body IR: $>1,000$ MOhms @ 1,000 V dc Mated Depth Rating: 3,450 MSW Temperature Rating: -20° C to $+60^{\circ}$ C Conductor Tail Size: 12 AWG Solder Bucket Size: 2.5 mm dia</p>	<p>Body: 316 Stainless Steel Fix Ring: Aluminium Silicon Bronze Back Shell: N/A Optical Ferrule: Ceramic Optical Alignment Sleeve: Ceramic Contact Pins: CZ121/Au Contact Sockets: CZ121/Au Insert Material: Peek Conductor Tails: Spec 44 x 1.0m Optical Tails: Simplex ruggardised x 1.0m Terminated: ST Connectors N170 O – Rings:</p>	<p>Socket Pin</p>  <p>Ref: HDM 08-03FOP-06P</p>
<p>Optical paths: 2xFibre Optic (Multi/Single Mode) Typical Insertion Loss: ≤ 0.5 dB Typical (SM) Back Reflection: <-30 dB return loss Pin Current Rating: 20 Amps Pin Voltage Rating: 1,000 V rms Contact to Contact IR: $>1,000$ MOhms @ 1,000 V dc Contact to Body IR: $>1,000$ MOhms @ 1,000 V dc Mated Depth Rating: 3,450 MSW Temperature Rating: -20° C to $+60^{\circ}$ C Conductor Tail Size: 12 AWG Solder Bucket Size: 2.5 mm dia</p>	<p>Body: 316 Stainless Steel Fix Ring: Aluminium Silicon Bronze Back Shell: N/A Optical Ferrule: Ceramic Optical Alignment Sleeve: Ceramic Contact Pins: CZ121/Au Contact Sockets: CZ121/Au Insert Material: Peek Conductor Tails: Spec 44 x 1.0m Optical Tails: Simplex ruggardised x 1.0m Terminated: ST Connectors N170 O – Rings:</p>	<p>Socket Pin</p>  <p>Ref: HDM 08-04FOP-02P</p>
<p>Optical paths: 4xFibre Optic (Multi/Single Mode) Typical Insertion Loss: ≤ 0.5 dB Typical (SM) Back Reflection: <-30 dB return loss Pin Current Rating: 20 Amps Pin Voltage Rating: 1,000 V rms Contact to Contact IR: $>1,000$ MOhms @ 1,000 V dc Contact to Body IR: $>1,000$ MOhms @ 1,000 V dc Mated Depth Rating: 3,450 MSW Temperature Rating: -20° C to $+60^{\circ}$ C Conductor Tail Size: 12 AWG Solder Bucket Size: 2.5 mm dia</p>	<p>Body: 316 Stainless Steel Fix Ring: Aluminium Silicon Bronze Back Shell: N/A Optical Ferrule: Ceramic Optical Alignment Sleeve: Ceramic Contact Pins: CZ121/Au Contact Sockets: CZ121/Au Insert Material: Peek Conductor Tails: Spec 44 x 1.0m Optical Tails: Simplex ruggardised x 1.0m Terminated: ST Connectors N170 O – Rings:</p>	<p>Socket Pin</p>  <p>Ref: HDM 08-04FOP-06P</p>
<p>Optical paths: 4xFibre Optic (Multi/Single Mode) Typical Insertion Loss: ≤ 0.5 dB Typical (SM) Back Reflection: <-30 dB return loss Pin Current Rating: 20 Amps Pin Voltage Rating: 1,000 V rms Contact to Contact IR: $>1,000$ MOhms @ 1,000 V dc Contact to Body IR: $>1,000$ MOhms @ 1,000 V dc Mated Depth Rating: 3,450 MSW Temperature Rating: -20° C to $+60^{\circ}$ C Conductor Tail Size: 12 AWG Solder Bucket Size: 2.5 mm dia</p>	<p>Body: 316 Stainless Steel Fix Ring: Aluminium Silicon Bronze Back Shell: N/A Optical Ferrule: Ceramic Optical Alignment Sleeve: Ceramic Contact Pins: CZ121/Au Contact Sockets: CZ121/Au Insert Material: Peek Conductor Tails: Spec 44 x 1.0m Optical Tails: Simplex ruggardised x 1.0m Terminated: ST Connectors N170 O – Rings:</p>	<p>Socket Pin</p>  <p>Ref: HDM 08-04FOP-08P</p>
<p>Optical paths: 6xFibre Optic (Multi/Single Mode) Typical Insertion Loss: ≤ 0.5 dB Typical (SM) Back Reflection: <-30 dB return loss Pin Current Rating: 20 Amps Pin Voltage Rating: 1,000 V rms Contact to Contact IR: $>1,000$ MOhms @ 1,000 V dc Contact to Body IR: $>1,000$ MOhms @ 1,000 V dc Mated Depth Rating: 3,450 MSW Temperature Rating: -20° C to $+60^{\circ}$ C Conductor Tail Size: 12 AWG Solder Bucket Size: 2.5 mm dia</p>	<p>Body: 316 Stainless Steel Fix Ring: Aluminium Silicon Bronze Back Shell: N/A Optical Ferrule: Ceramic Optical Alignment Sleeve: Ceramic Contact Pins: N/A Contact Sockets: N/A Insert Material: Peek Conductor Tails: N/A Optical Tails: Simplex ruggardised x 1.0m Terminated: ST Connectors N170 O – Rings:</p>	<p>Socket Pin</p>  <p>Ref: HDM 08-06FOP-04P</p>

Fibre Optic Connectors and Penetrators

HDM (Hydrobond Deck Mate) Surface Mateable all Optical Connectors & Hybrid Optical / Electrical Connectors: **Specifications**

Electrical and Environmental	Standard Material Specification	Face Views
Optical paths: 6xFibre Optic (Multi/Single Mode) Typical Insertion Loss: ≤ 0.5 dB Typical (SM) Back Reflection: <-30 dB return loss Pin Current Rating: 20 Amps Pin Voltage Rating: 1,000 V rms Contact to Contact IR: >1,000 MOhms @ 1,000 V dc Contact to Body IR: >1,000 MOhms @ 1,000 V dc Mated Depth Rating: 3,450 MSW Temperature Rating: -20 ° C to +60 ° C Conductor Tail Size: 12 AWG Solder Bucket Size: 2.5 mm dia	Body: 316 Stainless Steel Fix Ring: Aluminium Silicon Bronze Back Shell: N/A Optical Ferrule: Ceramic Optical Alignment Sleeve: Ceramic Contact Pins: CZ121/Au Contact Sockets: CZ121/Au Insert Material: Peek Conductor Tails: Spec 44 x 1.0m Simplex ruggardised x 1.0m Terminated: ST Connectors O – Rings: NI70	Socket Pin Ref: HDM 08-06FOP-05P
Optical paths: 6xFibre Optic (Multi/Single Mode) Typical Insertion Loss: ≤ 0.5 dB Typical (SM) Back Reflection: <-30 dB return loss Pin Current Rating: 20 Amps Pin Voltage Rating: 1,000 V rms Contact to Contact IR: >1,000 MOhms @ 1,000 V dc Contact to Body IR: >1,000 MOhms @ 1,000 V dc Mated Depth Rating: 3,450 MSW Temperature Rating: -20 ° C to +60 ° C Conductor Tail Size: 12 AWG Solder Bucket Size: 2.5 mm dia	Body: 316 Stainless Steel Fix Ring: Aluminium Silicon Bronze Back Shell: N/A Optical Ferrule: Ceramic Optical Alignment Sleeve: Ceramic Contact Pins: CZ121/Au Contact Sockets: CZ121/Au Insert Material: Peek Conductor Tails: Spec 44 x 1.0m Simplex ruggardised x 1.0m Terminated: ST Connectors O – Rings: NI70	Socket Pin Ref: HDM 08-06FOP-08P
Optical paths: 10xFibre Optic (Multi/Single Mode) Typical Insertion Loss: ≤ 0.5 dB Typical (SM) Back Reflection: <-30 dB return loss Pin Current Rating: N/A Pin Voltage Rating: N/A Contact to Contact IR: N/A Contact to Body IR: N/A Mated Depth Rating: N/A Temperature Rating: -20 ° C to +60 ° C Conductor Tail Size: N/A Solder Bucket Size: N/A	Body: 316 Stainless Steel Fix Ring: Aluminium Silicon Bronze Back Shell: N/A Optical Ferrule: Ceramic Optical Alignment Sleeve: Ceramic Contact Pins: N/A Contact Sockets: N/A Insert Material: Peek Conductor Tails: N/A Optical Tails: Simplex ruggardised x 1.0m Terminated: ST Connectors O – Rings: NI70	Socket Pin Ref: HDM 08-10FOP-00P

Custom Product Design

Not found what you are looking for ?

Our in house engineers design, develop, manufacture and test new products to customer specifications.

